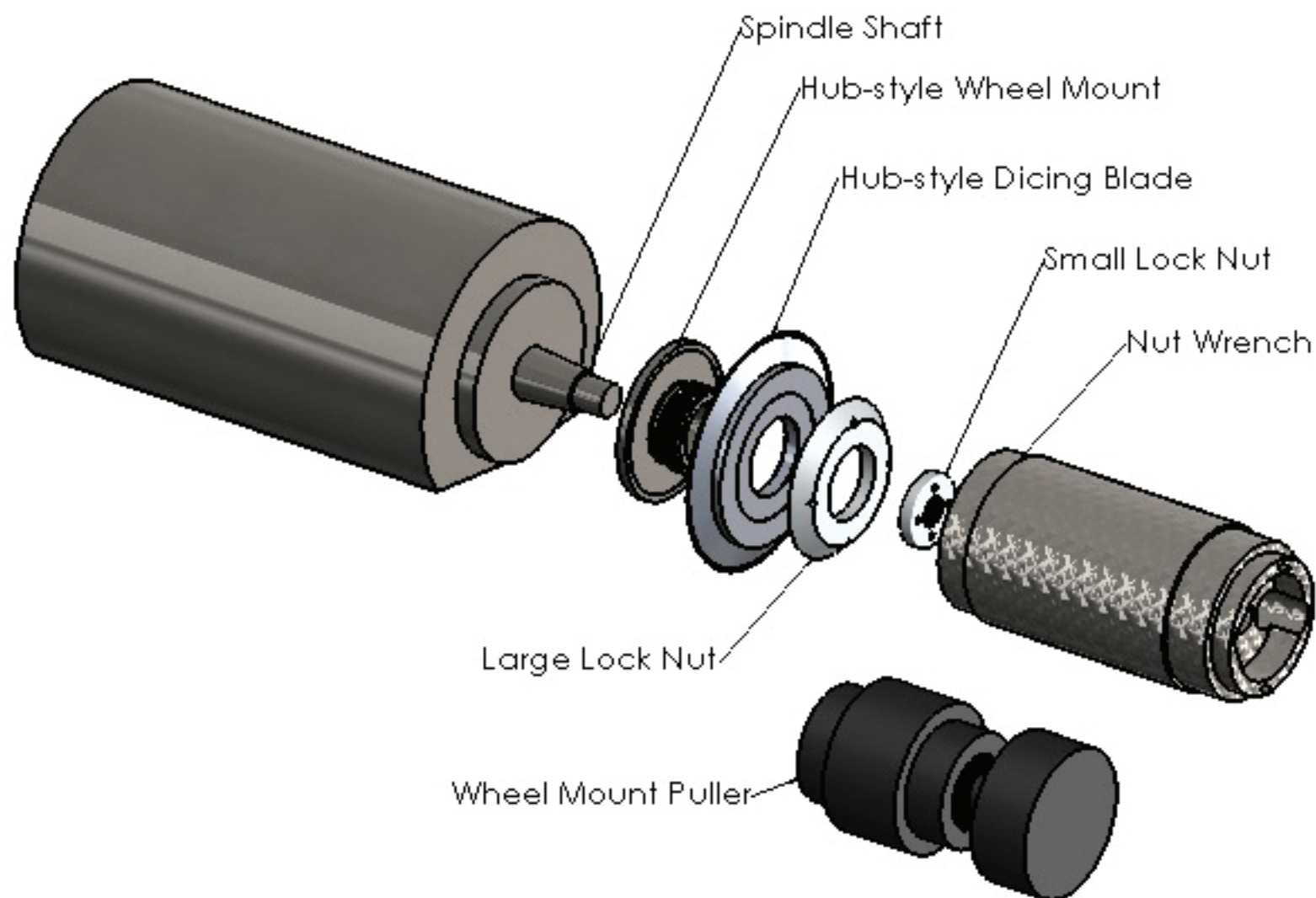


Hub-Style Wheel Mount Assembly

Wheel mount is equipped with a tapered inside diameter to match the taper of the spindle shaft. The hub-style blade then slides over the straight arbor of the wheel mount, then locked into place with the large locknut.



Tapered Flange Mount Assembly

Equipped with a tapered inside diameter to match the spindle shaft taper for more accuracy, and can be used with any hubless blade.

